

# 2 valve manifold

## Model 2VM-1

### Features

- Stainless steel construction Optional Monel & Hastelloy-C276
- Isolates and bleeds process from Measuring Instrument assembly
- Provision of dust caps that prevent dust Ingress
- Supplied with wetted parts according to NACE MR0175
- The controlled vent provides the option of draining to process fluid to collector or atmosphere
- PTFE packing optional grafoil

### Applications

Chemical & petrochemical industries & refineries  
 Off shore and on shore fields  
 Storage tanks of fluids/gas  
 Thermal & nuclear power generation units  
 Waste treatment plant  
 OEM & machine apparatus  
 Seawater desalination plants



RM-type



R-type

Technical specification	2VM-1
Body	Stainless steel 316 optional Stainless steel 316L, Monel & Hasteloy-C276
Stem	Stainless steel 316 optional Stainless steel 316L, Monel & Hasteloy-C276
Valve assembly	Stainless steel 316 optional Stainless steel 316L, Monel & Hasteloy-C276
Connections	1/4" 3/8" 1/2" BSP / NPT, others on request
Packing	PTFE up to 240 °C (462 °F) optional Grafoil up to 538 °C (1000 °F)
T-handle	Stainless steel 304
Permissible pressure rating	6000 PSI @ 100°C (212 °F)
Drain Port	1/4" NPT(F)
Vent plug	Stainless steel 316 optional Stainless steel 316L, Monel & Hasteloy-C276

### Order information

Type	Mounting	Connection	Form Inlet X Outlet	System material	Options
2VM-1	(RM) Remote mount	(02) 1/4" NPT	(M/F) Male X female <sup>1)</sup>	(S) 316(1.4401)	(NH) Tagging Stamped
	(R) Pipe to pipe	(04) 1/2" NPT	(F/F) Female X female	(L) 316L (1.4404)	(OF) Oil free
		(03) 3/8" NPT			(CD3) Material certificate for wetted parts
	(T) Pipe to flange	(13) 1/4" BSP	(F/FL) Female X flange	(P) Monel	(10K) Pressure rating 10000PSI <sup>2)</sup>
(H) Flange to flange	(14) 3/8" BSP	(15) 1/2" BSP	(FL/FL) Flange X flange	(H) Hasteloy-C276	(G) Grafoil packing
		(=) Flange		Others on request	(CD5) NACE MR 0175/ ISO15156-2005

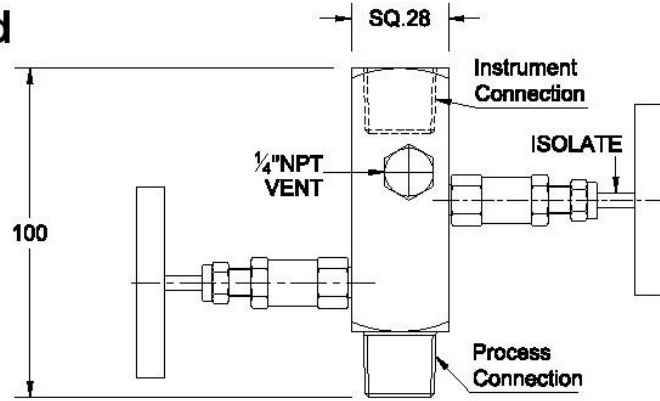
1) Only for (RM) type      2) Detailed drawing shall be provided on request

### How to order

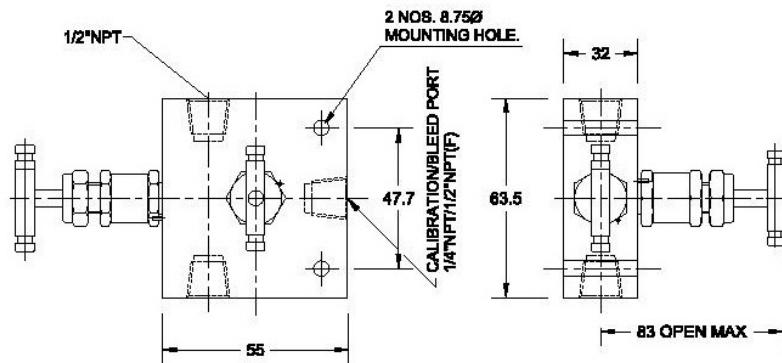
Type	Mounting	Connection	Form	System material	Options
2VM-1	R	04	F/F	L	CD5

## 2 valve manifold

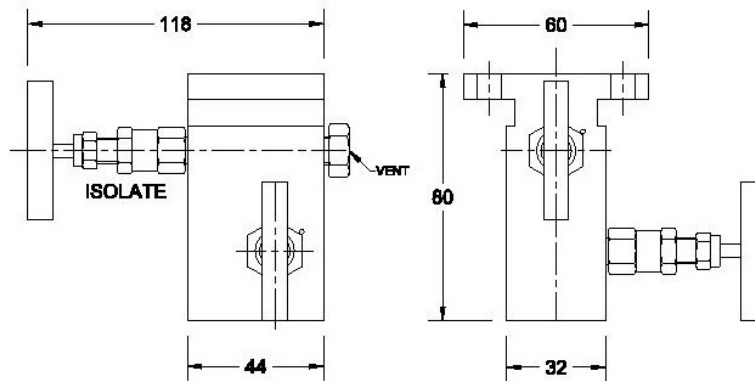
RM-type



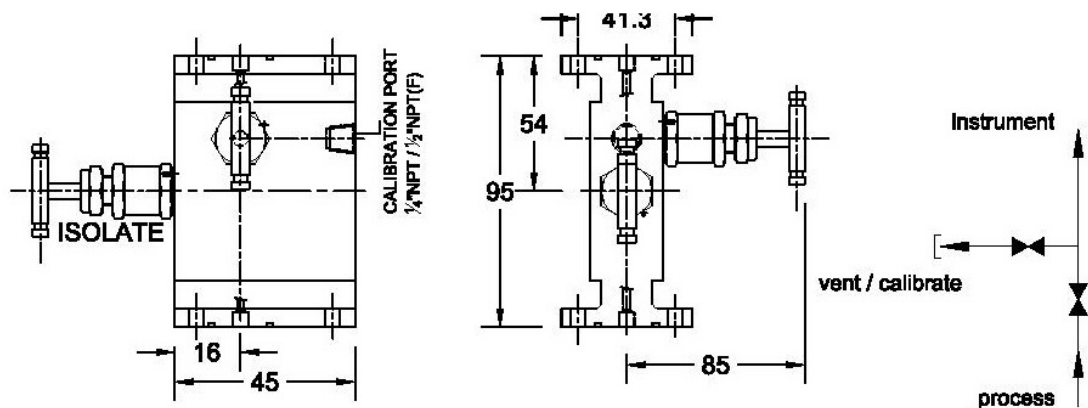
R-type



T-type



H-type



Pressure Rating: 6000psi @ 100°C (212 °F)  
Dimension shall be differ for option 10K